

Figure 1: Frame assembly

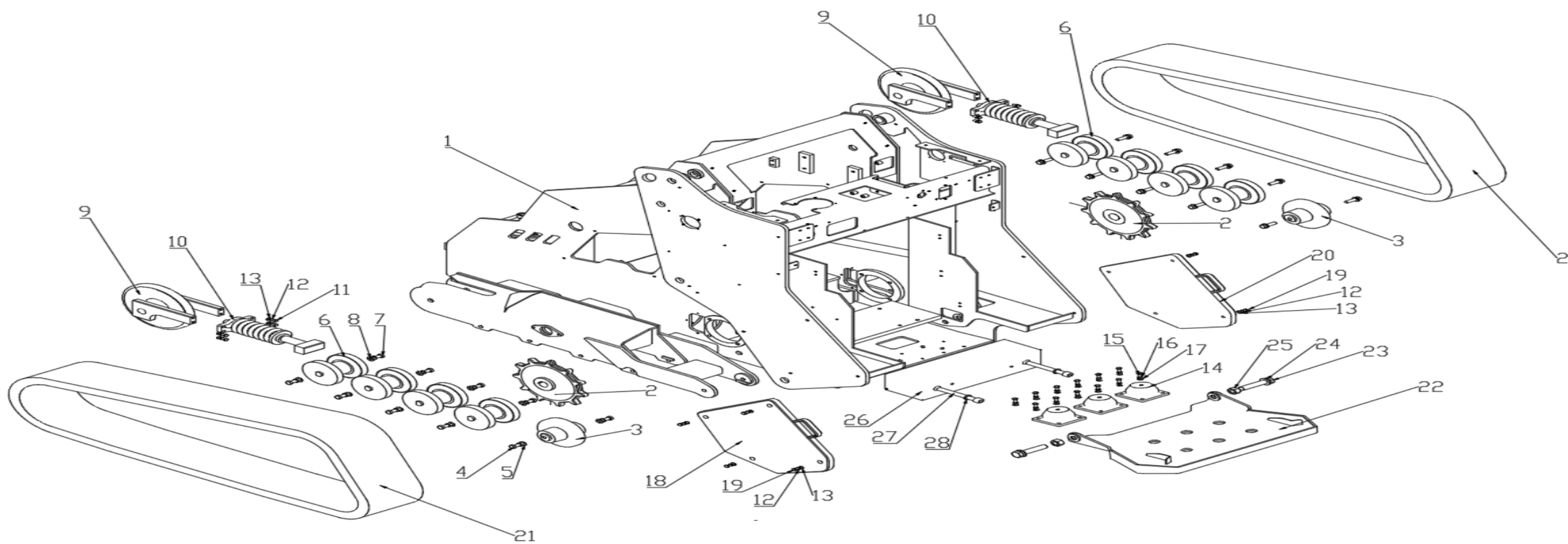


Figure 1: Frame Assembly

SN	Item #	PNB	Part Number	GAVIN'S DESC.	Description	QTY/Unit	Cost (ea.)	Cost w/ tariffs	Viper Margin	Dealer	Margin	MSRP	Remark
F1-01	1	E4010000	VL-11000-00	Frame welded	Frame welded	1	\$1,392.86	\$1,741.08	50.0%	\$3,482.15	30%	\$4,974.50	
F1-02	2	M5010000	VL-21000-00	Driving wheel	Driving wheel	2	\$38.07	\$47.59	50.0%	\$95.18	30%	\$135.96	
F1-03	3	M5050000	VL-21001-00	Idler wheel	Idler wheel	2	\$44.57	\$55.71	30.0%	\$79.59	30%	\$113.70	
F1-04	4	M6010604	VL-81211-00	Outer hexagonal	Hex bolt M14*35	4	\$0.29	\$0.36	75.0%	\$1.45	30%	\$2.07	
F1-05	5	M6030700	VL-83006-00	Flat gasket D14	Flat washer D14	4	\$0.07	\$0.09	75.0%	\$0.35	30%	\$0.50	
F1-06	6	M5040000	VL-21002-00	Track Roller	Track Roller	8	\$29.34	\$36.68	50.0%	\$73.35	30%	\$104.79	
F1-07	7	M6010504	VL-81167-00	Outer hexagonal	Hex bolt M12*35	16	\$0.21	\$0.26	75.0%	\$1.05	30%	\$1.50	
F1-08	8	M6030500	VL-83005-00	Flat gasket D12	Flat washer D12	16	\$0.07	\$0.09	75.0%	\$0.35	30%	\$0.50	
F1-09	9	M5020000	VL-21003-00	Idler assembly	Idler assembly	2	\$65.93	\$82.41	50.0%	\$164.83	30%	\$235.46	
F1-10	10	M5030000	VL-22000-00	Tightening	Tightening assembly	2	\$65.00	\$81.25	50.0%	\$162.50	30%	\$232.14	
F1-11	11	M6060504	VL-81111-10	Hexagon socket	Hex socket head bolt M10*35	4	\$0.21	\$0.26	75.0%	\$1.05	30%	\$1.50	
F1-12	12	M6030400	VL-83004-00	Flat gasket D10	Flat washer D10	16	\$0.04	\$0.05	75.0%	\$0.20	30%	\$0.29	
F1-13	13	M6040400	VL-83104-00	Elastic gasket	Lock washer D10	16	\$0.04	\$0.05	75.0%	\$0.20	30%	\$0.29	
F1-14	14	M4091700	VL-12002-00	Shock pad	Shock pad	3	\$5.00	\$6.25	30.0%	\$8.93	30%	\$12.76	
F1-15	15	M6010303	VL-81056-00	Outer hexagonal	Hex bolt M8*20	12	\$0.04	\$0.05	75.0%	\$0.20	30%	\$0.29	
F1-16	16	M6040300	VL-83103-00	Elastic gasket D8	Lock washer D8	12	\$0.03	\$0.04	75.0%	\$0.15	30%	\$0.21	
F1-17	17	M6030300	VL-83003-00	Flat gasket D8	Flat washer D8	12	\$0.03	\$0.04	75.0%	\$0.15	30%	\$0.21	
F1-18	18	M4091602	VL-14000-00	Left	Left counterweight	1	\$52.57	\$65.71	40.0%	\$109.52	30%	\$156.46	standard shipping only
F1-20	19	M6060503	VL-81109-10	Hexagon socket	Hex socket head bolt M10*25	8	\$0.14	\$0.18	75.0%	\$0.70	30%	\$1.00	
F1-19	20	M4091603	VL-14001-00	Right	Right counterweight	1	\$52.57	\$65.71	40.0%	\$109.52	30%	\$156.46	standard shipping only
F1-21	21	M5060000	VL-13000-00	Track	V1300X Track (each)	2	\$189.71	\$237.14	30.0%	\$338.77	30%	\$483.95	standard shipping only
F1-22	22	M4010800	VL-12001-00	Standing on	Operator Platform	1	\$65.71	\$82.14	30.0%	\$117.34	30%	\$167.63	
F1-23	23	M6010902	VL-81374-00	Outer hexagonal	Hex bolt M20*100	2	\$1.29	\$1.61	75.0%	\$6.45	30%	\$9.21	
F1-24	24	M6031000	VL-83009-00	Flat gasket D20	Flat washer D20	4	\$0.21	\$0.26	75.0%	\$1.05	30%	\$1.50	
F1-25	25	M6020900	VL-82009-00	Nut M20	Nut M20	2	\$0.21	\$0.26	75.0%	\$1.05	30%	\$1.50	
F1-26	26	M4091601	VL-14002-00	Under Counter	Under Counter Weight	1	\$78.14	\$97.68	30.0%	\$139.54	30%	\$199.34	
F1-27	27	M6061101	VL-81286-10	Hexagon socket	Hex socket head bolt M16*160	2	\$0.71	\$0.89	75.0%	\$3.55	30%	\$5.07	
F1-28	28	M6040800	VL-83107-00	Elastic gasket	Lock washer D16	2	\$0.07	\$0.09	75.0%	\$0.35	30%	\$0.50	

Figure 2: Arm Assembly

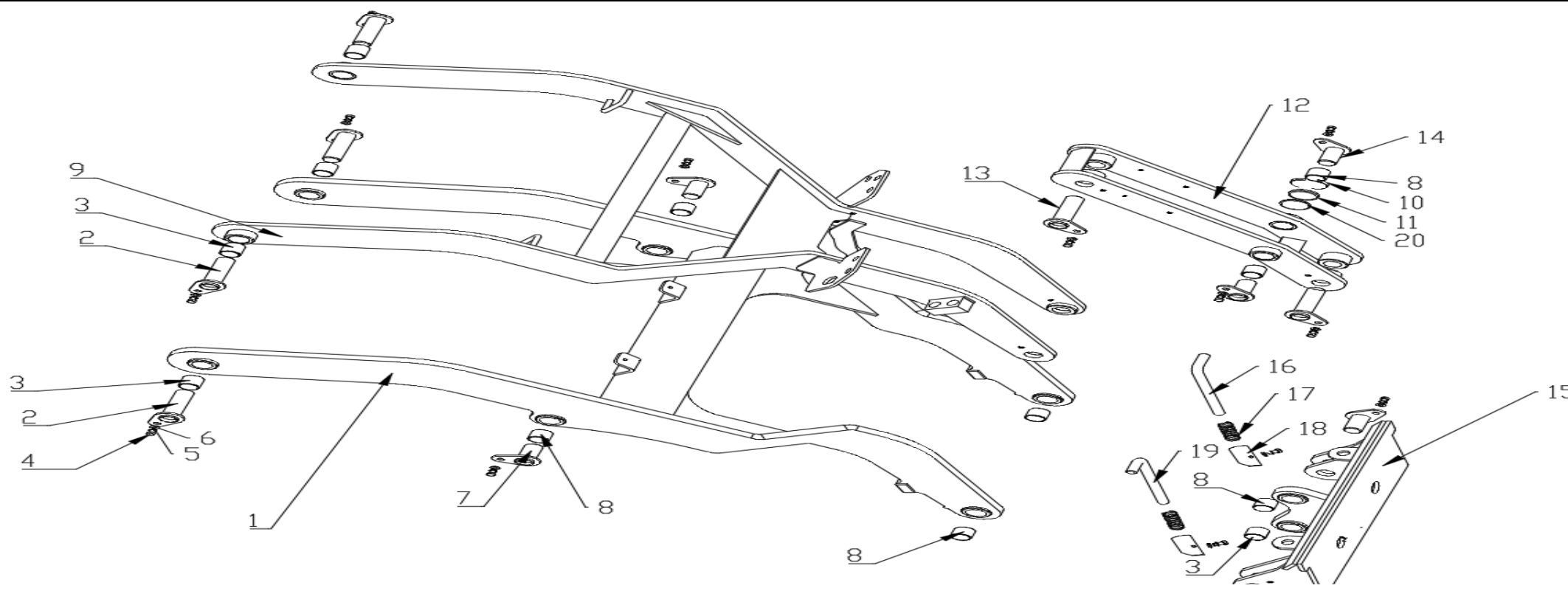




Figure 2: Arm Assembly

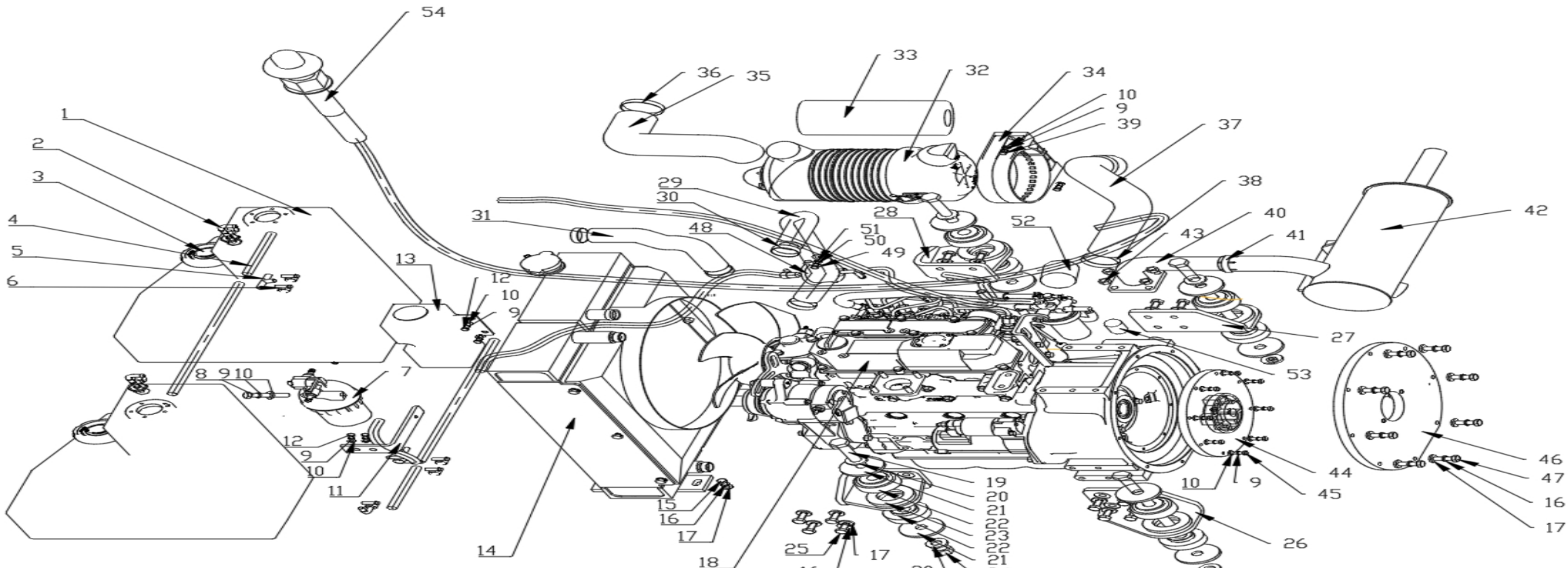
SN	Figure 2: Arm Assembly												Remark
F2-01													
F2-02													
F2-03													
F2-04													
F2-05													
F2-06													
F2-07													
F2-08													
F2-09													
F2-10													
F2-11													
F2-12													
F2-13													
F2-14													
F2-15													
F2-16													
F2-17													
F2-18													
F2-19													
F2-20													

Figure 3: Power Assembly

SN	Item #	PNB	Part Number	GAVIN'S DESC.	Description	QTY/Unit	Cost (ea.)	Cost w/ tariffs	Viper Margin	Dealer	Margin	MSRP	Remark
F3-01	1	M4060100	VL-42000-00	Fuel tank	Fuel tank	2	\$40.00	\$50.00	50.0%	\$100.00	30%	\$142.86	
F3-02	2	M4060101	VL-42001-00	Fuel tank right	Fuel tank right angle straight-through	4	\$8.00	\$10.00	40.0%	\$16.67	30%	\$23.81	
F3-03	3	M4060102	VL-42002-00	Fuel tank cap	Fuel tank cover	2	\$3.71	\$4.64	40.0%	\$7.73	30%	\$11.04	
F3-04	4	M1063400	VL-42003-00	Hoses φ8	Fuel hose	4	\$1.71	\$2.14	60.0%	\$5.34	30%	\$7.63	
F3-05	5	M6090101	VL-42004-00	Copper tee	Copper tee	2	\$1.00	\$1.25	60.0%	\$3.13	30%	\$4.46	
F3-06	6	M6100101	VL-42005-00	Hose clamp	Hose clamp 10-16	16	\$0.29	\$0.36	80.0%	\$1.81	30%	\$2.59	
F3-07	7	M1011200	VL-93000-00	Oil-water	Diesel fuel-water separator assem.	1	\$53.57	\$66.96	30.0%	\$95.66	30%	\$136.66	
			171081-55910		Yanmar PN - Water separator element	1							
			129053-55520		Yanmar PN - Water separator O-ring	1							
F3-08	8	M6010308	VL-81063-00	Outer hexagonal	Hex bolt M8*45	1	\$0.07	\$0.09	75.0%	\$0.35	30%	\$0.50	
F3-09	9	M6040300	VL-83103-00	Elastic gasket D8	Lock washer D8	8	\$0.03	\$0.04	75.0%	\$0.15	30%	\$0.21	
F3-10	10	M6030300	VL-83003-00	Flat gasket D8	Flat washer D8	8	\$0.03	\$0.04	75.0%	\$0.15	30%	\$0.21	
F3-11	11	M4051400	VL-42006-00	Oil-water	Fuel-water separator bracket	1	\$2.14	\$2.68	75.0%	\$10.70	30%	\$15.29	
F3-12	12	M6010301	VL-81053-00	Outer hexagonal	Hex bolt M8*14	5	\$0.04	\$0.05	75.0%	\$0.20	30%	\$0.29	
F3-13	13	M1052000	VL-43001-00	Deputy Cisterns	Radiator expansion tank	1	\$6.00	\$7.50	30.0%	\$10.71	30%	\$15.31	
F3-14	14	H1051000	VL-43000-00	Radiator	Radiator	1	\$200.00	\$250.00	30.0%	\$357.14	30%	\$510.20	
F3-15	15	M6010405	VL-81110-00	Outer hexagonal	Hex bolt M10*30	4	\$0.14	\$0.18	75.0%	\$0.70	30%	\$1.00	
F3-16	16	M6040400	VL-83104-00	Elastic gasket	Lock washer D10	28	\$0.04	\$0.05	75.0%	\$0.20	30%	\$0.29	
F3-17	17	M6030400	VL-83004-00	Flat gasket D10	Flat washer D10	28	\$0.04	\$0.05	75.0%	\$0.20	30%	\$0.29	
F3-18	18	M1011100		Engine	Engine	1	\$2,964.29	\$3,705.36	20.0%				
F3-19	19	M6010701	VL-81280-00	Outer hexagonal	Hex bolt M16*130	4	\$1.14	\$1.43	75.0%	\$5.70	30%	\$8.14	
F3-20	20	M6030800	VL-83007-00	Flat gasket D16	Flat washer D16	4	\$0.29	\$0.36	75.0%	\$1.45	30%	\$2.07	
F3-21	21	M1010010	VL-41010-00	Engine support	Engine support leg pad	8	\$2.29	\$2.86	75.0%	\$11.45	30%	\$16.36	
F3-22	22	M1012000	VL-41015-00	Shock absorber	Engine mount bushing	8	\$5.88	\$7.35	30.0%	\$10.50	30%	\$15.00	
F3-23	23	M1017000	VL-41011-00	Right rear	Right rear engine support leg	1	\$11.14	\$13.93	30.0%	\$19.89	30%	\$28.42	
F3-24	24	M6020700	VL-82007-00	Nut M16	Nut M16	4	\$0.14	\$0.18	75.0%	\$0.70	30%	\$1.00	
F3-25	25	M6010404	VL-81109-00	Outer hexagonal	Hex bolt M10*25	16	\$0.11	\$0.14	75.0%	\$0.55	30%	\$0.79	
F3-26	26	M1015000	VL-41012-00	Right front	Right front engine support leg	1	\$11.14	\$13.93	40.0%	\$23.21	30%	\$33.15	
F3-27	27	M1016000	VL-41013-00	Left front engine	Left front engine support leg	1	\$11.14	\$13.93	40.0%	\$23.21	30%	\$33.15	
F3-28	28	M1014000	VL-41014-00	Left rear engine	Left rear engine support leg	1	\$11.14	\$13.93	40.0%	\$23.21	30%	\$33.15	
F3-29	29	M1053000	VL-43002-00	Radiator inlet	Radiator inlet hose	1	\$3.57	\$4.46	60.0%	\$11.16	30%	\$15.94	
F3-30	30	M6100103	VL-43003-00	Hose clamp	Hose clamp 21-24	4	\$0.36	\$0.45	75.0%	\$1.80	30%	\$2.57	
F3-31	31	M1054000	VL-43004-00	Radiator outlet	Radiator outlet hose	1	\$2.57	\$3.21	60.0%	\$8.03	30%	\$11.47	
F3-32	32	M1021100	VL-41020-00	Air filter in shell	Air filter in shell assembly	1	\$64.29	\$80.36	30.0%	\$114.80	30%	\$164.01	
F3-33	33	M1021102	VL-91000-00	Air filter coarse	Air filter coarse filter element	1	\$12.71	\$15.89	35.0%	\$24.44	30%	\$34.92	
F3-34	34	M1021200	VL-41021-00	Air filter shell	Air filter shell hoop	1	\$7.14	\$8.93	30.0%	\$12.75	30%	\$18.21	

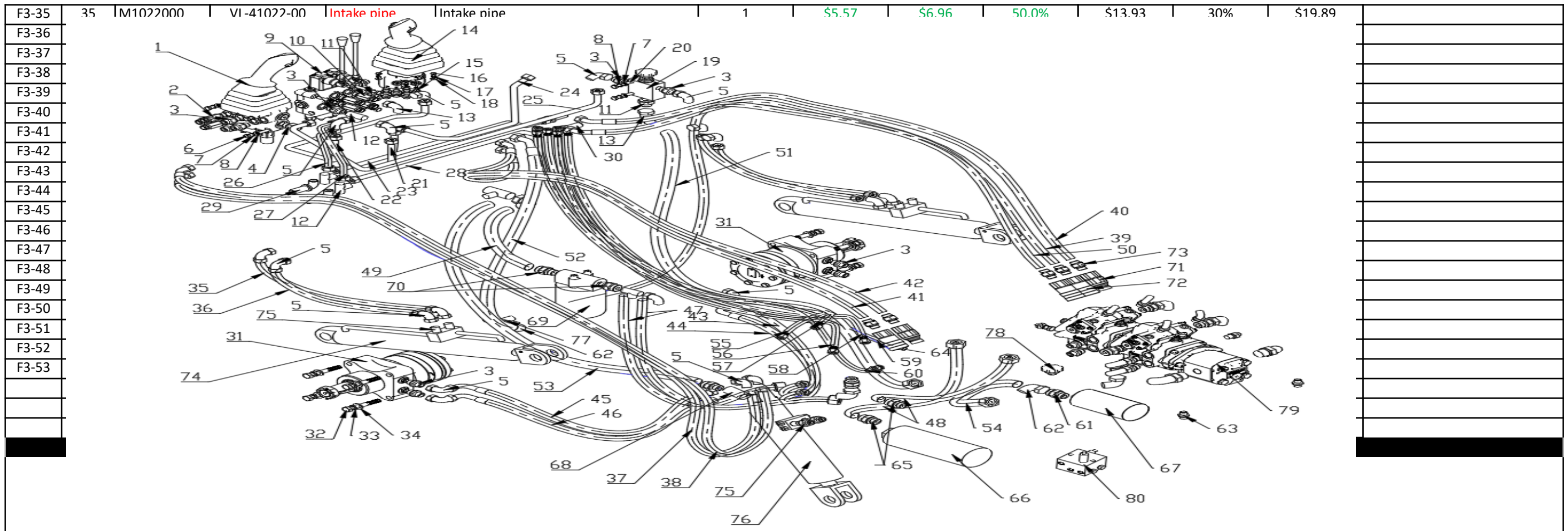


Figure 4: Hydraulic System

SN	Item #	PNB	Part Number	GAVIN'S DESC.	Description	QTY/Unit	Cost (ea.)	Cost w/ tariffs	Viper Margin	Dealer	Margin	MSRP	Remark
F4-01	1	H2020100	VL-51002-00	Working valve	Working valve 1HM45020031	1	\$192.86	\$241.08	30.0%	\$344.39	30%	\$491.99	
F4-02	2	M2180119	VL-54104-00	Joint	Fitting - CB-18-06WDL80	2	\$1.36	\$1.70	60.0%	\$4.25	30%	\$6.07	
F4-03	3	M2180104	VL-54105-00	Joint	Fitting - 1CB-18-06WDLGZF	12	\$0.71	\$0.89	75.0%	\$3.55	30%	\$5.07	
F4-04	4	M2180105	VL-54106-00	Joint	Fitting - 1CB-18-06WDL45LGZF	1	\$1.14	\$1.43	60.0%	\$3.56	30%	\$5.09	
F4-05	5	M2180405	VL-54200-00	Combination	Combination fitting - 2C9-18ZF	19	\$1.43	\$1.79	60.0%	\$4.47	30%	\$6.38	
F4-06	6	M6010310	VL-81065-00	Outer hexagonal	Hex bolt M8*55	6	\$0.07	\$0.09	80.0%	\$0.44	30%	\$0.63	
F4-07	7	M6040300	VL-83103-00	Elastic gasket D8	Lock washer D8	8	\$0.03	\$0.04	80.0%	\$0.19	30%	\$0.27	
F4-08	8	M6030300	VL-83003-00	Flat gasket D8	Flat washer D8	8	\$0.03	\$0.04	80.0%	\$0.19	30%	\$0.27	
F4-09	9	H2030100	VL-51003-00	Multifunctional	Multifunction valve 1HM45020032	1	\$169.64	\$212.05	30.0%	\$302.93	30%	\$432.76	
F4-10	10	M2180106	VL-54107-00	Joint	Fitting - 1CB-18-06WDL60LGZF	4	\$1.21	\$1.51	60.0%	\$3.78	30%	\$5.40	
F4-11	11	M2180111	VL-54109-00	Joint	Fitting - 1CB-22-06WD	2	\$0.79	\$0.99	75.0%	\$3.95	30%	\$5.64	
F4-12	12	M2180602	VL-54300-00	Tee connector	T fitting - CC-18ZF	3	\$2.64	\$3.30	60.0%	\$8.25	30%	\$11.79	
F4-13	13	M2180406	VL-54201-00	Combination	Combination fitting - 2C9-22	3	\$1.71	\$2.14	60.0%	\$5.34	30%	\$7.63	
F4-14	14	H2040100	VL-51000-00	Left Hydraulic	Left Joystick	1	\$171.43	\$214.29	35.0%	\$329.67	30%	\$470.96	
F4-15	15	H2040100	VL-51001-00	Left Hydraulic	Left Joystick (full flow-Sequence # 11037+)	1	\$171.43	\$214.29	35.0%	\$329.67	30%	\$470.96	
F4-16	16	M2180204	VL-54100-00	Joint 1CO-14-04	Fitting - 1CO-14-04	6	\$0.43	\$0.54	75.0%	\$2.15	30%	\$3.07	
F4-17	17	M6060202	VL-81026-00	Outer hexagonal	Hex bolt M6*20	4	\$0.04	\$0.05	75.0%	\$0.20	30%	\$0.29	
F4-18	18	M6040200	VL-83102-00	Elastic gasket D6	Lock washer D6	4	\$0.01	\$0.01	75.0%	\$0.05	30%	\$0.07	
F4-19	19	M6030200	VL-83002-00	Flat gasket D6	Flat washer D6	4	\$0.01	\$0.01	75.0%	\$0.05	30%	\$0.07	
F4-20	20	H2050100	VL-51004-00	Priority valve	Priority valve	1	\$68.57	\$85.71	35.0%	\$131.87	30%	\$188.38	
F4-21	21	M6010310	VL-81066-00	Outer hexagonal	Hex bolt M8*55	2	\$0.07	\$0.09	75.0%	\$0.35	30%	\$0.50	
F4-22	22	H2070100	VL-53500-00	Steel Pipe	Steel Pipe	1	\$10.98	\$13.73	50.0%	\$27.45	30%	\$39.21	
F4-23	23	H2070200	VL-53501-00	Steel Pipe	Steel Pipe	1	\$13.95	\$17.44	50.0%	\$34.88	30%	\$49.82	
F4-24	24	H2070300	VL-53502-00	Steel Pipe	Steel Pipe	1	\$13.52	\$16.90	50.0%	\$33.80	30%	\$48.29	
F4-25	25	H2070400	VL-53503-00	Steel Pipe	Steel Pipe	1	\$13.43	\$16.79	50.0%	\$33.58	30%	\$47.96	
F4-26	26	H2070500	VL-53504-00	Steel Pipe	Steel Pipe	1	\$16.23	\$20.29	50.0%	\$40.58	30%	\$57.96	
F4-27	27	H2070600	VL-53505-00	Steel Pipe	Steel Pipe	1	\$10.19	\$12.74	50.0%	\$25.48	30%	\$36.39	
F4-28	28	H2070700	VL-53506-00	Steel Pipe	Steel Pipe	1	\$10.39	\$12.99	50.0%	\$25.98	30%	\$37.11	
F4-29	29	H2070800	VL-53507-00	Steel Pipe	Steel Pipe	1	\$13.45	\$16.81	50.0%	\$33.63	30%	\$48.04	
F4-30	30	M2180502	VL-54400-00	Bulkhead	Bulkhead connector 6C9-18LN	2	\$1.57	\$1.96	60.0%	\$4.91	30%	\$7.01	
F4-31	31	M2180501	VL-54401-00	Bulkhead	Bulkhead connector 6C9-18	2	\$1.50	\$1.88	60.0%	\$4.69	30%	\$6.70	
F4-32	32	H2150200	VL-52000-00	Motor	Wheel Motor - 300	2	\$226.57	\$283.21	32.5%	\$419.57	30%	\$599.39	
F4-33	33	H2150200	VL-52001-00	Motor	Wheel Motor - 375 (Sequence # 11037+)	2	\$226.57	\$283.21	32.5%	\$419.57	30%	\$599.39	
F4-34	34	M6060714	VL-81176-00	Inner hexagonal	Hex bolt M12*80	8	\$0.26	\$0.33	75.0%	\$1.30	30%	\$1.86	
F4-35	35	M6040500	VL-83105-00	Elastic gasket	Elastic washer D12	8	\$0.07	\$0.09	75.0%	\$0.35	30%	\$0.50	
F4-36	36	M6030500	VL-83005-00	Flat gasket D12	Flat washer D12	8	\$0.07	\$0.09	75.0%	\$0.35	30%	\$0.50	
F4-37	37	N2080101	VL-53000-00	Rubber hose	Rubber hose	1	\$5.86	\$7.33	60.0%	\$18.31	30%	\$26.16	
F4-38	38	N2080102	VL-53001-00	Rubber hose	Rubber hose	1	\$5.43	\$6.79	60.0%	\$16.97	30%	\$24.24	
F4-39	39	N2080103	VL-53002-00	Rubber hose	Rubber hose	1	\$12.14	\$15.18	60.0%	\$37.94	30%	\$54.20	
F4-40	40	N2080104	VL-53003-00	Rubber hose	Rubber hose	1	\$12.43	\$15.54	60.0%	\$38.84	30%	\$55.49	
F4-41	41	N2080105	VL-53004-00	Rubber hose	Rubber hose	1	\$9.29	\$11.61	60.0%	\$29.03	30%	\$41.47	
F4-42	42	N2080106	VL-53005-00	Rubber hose	Rubber hose	1	\$9.00	\$11.25	60.0%	\$28.13	30%	\$40.18	
F4-43	43	N2080107	VL-53006-00	Rubber hose	Rubber hose	1	\$9.14	\$11.43	60.0%	\$28.56	30%	\$40.80	
F4-44	44	N2080108	VL-53007-00	Rubber hose	Rubber hose	1	\$9.14	\$11.43	60.0%	\$28.56	30%	\$40.80	
F4-45	45	N2080109	VL-53008-00	Rubber hose	Rubber hose	1	\$9.14	\$11.43	60.0%	\$28.56	30%	\$40.80	
F4-46	46	N2080110	VL-53009-00	Rubber hose	Rubber hose	1	\$5.29	\$6.61	60.0%	\$16.53	30%	\$23.62	
F4-47	47	N2080111	VL-53010-00	Rubber hose	Rubber hose	1	\$5.29	\$6.61	60.0%	\$16.53	30%	\$23.62	
F4-48	48	N2080112	VL-53011-00	Rubber hose	Rubber hose	1	\$6.14	\$7.68	60.0%	\$19.19	30%	\$27.41	
F4-49	49	N2080113	VL-53012-00	Rubber hose	Rubber hose	1	\$6.14	\$7.68	60.0%	\$19.19	30%	\$27.41	
F4-50	50	N2080114	VL-53013-00	Rubber hose	Rubber hose	2	\$8.00	\$10.00	60.0%	\$25.00	30%	\$35.71	
F4-51	51	N2080115	VL-53014-00	Rubber hose	Rubber hose	2	\$4.29	\$5.36	60.0%	\$13.41	30%	\$19.15	
F4-52	52	N2080116	VL-53015-00	Rubber hose	Rubber hose	1	\$6.00	\$7.50	60.0%	\$18.75	30%	\$26.79	
F4-53	53	N2080117	VL-53016-00	Rubber hose	Rubber hose	1	\$12.00	\$15.00	60.0%	\$37.50	30%	\$53.57	
F4-54	54	N2080118	VL-53017-00	Rubber hose	Rubber hose	1	\$10.71	\$13.39	60.0%	\$33.47	30%	\$47.81	
F4-55	55	N2080119	VL-53018-00	Rubber hose	Rubber hose	1	\$6.86	\$8.58	60.0%	\$21.44	30%	\$30.63	
F4-56	56	N2080120	VL-53019-00	Rubber hose	Rubber hose	1	\$8.14	\$10.18	60.0%	\$25.44	30%	\$36.34	
F4-57	57	N2080121	VL-53020-00	Rubber hose	Rubber hose	1	\$6.14	\$7.68	60.0%	\$19.19	30%	\$27.41	
F4-58	58	N2080201	VL-53020-00	Rubber hose	Rubber hose	1	\$5.86	\$7.33	60.0%	\$18.31	30%	\$26.16	

F4-56	56	N2080202	VL-53021-00	Rubber hose	Rubber hose	1	\$6.00	\$7.50	60.0%	\$18.75	30%	\$26.79
F4-57	57	N2080203	VL-53022-00	Rubber hose	Rubber hose	1	\$5.57	\$6.96	60.0%	\$17.41	30%	\$24.87
F4-58	58	N2080204	VL-53023-00	Rubber hose	Rubber hose	1	\$5.71	\$7.14	60.0%	\$17.84	30%	\$25.40
F4-59												
F4-60												
F4-61												
F4-62												
F4-63												
F4-64												
F4-65												
F4-66												
F4-67												
F4-68												
F4-69												
F4-70												
F4-71												
F4-72												
F4-73												
F4-74												
F4-75												
F4-76												
F4-77												
F4-78												
F4-79	79	H2010200	VL-52002-00	Pump with Joint	Hydraulic Pump Assembly	1	\$2,161.71	\$2,702.14	20.0%	\$3,377.67	30%	\$4,825.25
F4-80	80	H2060000	VL-51005-00	Anti flameout	Pilot Valve (Sequence # 11037+)	1	\$299.43	\$374.29	23.0%	\$486.09	30%	\$694.41

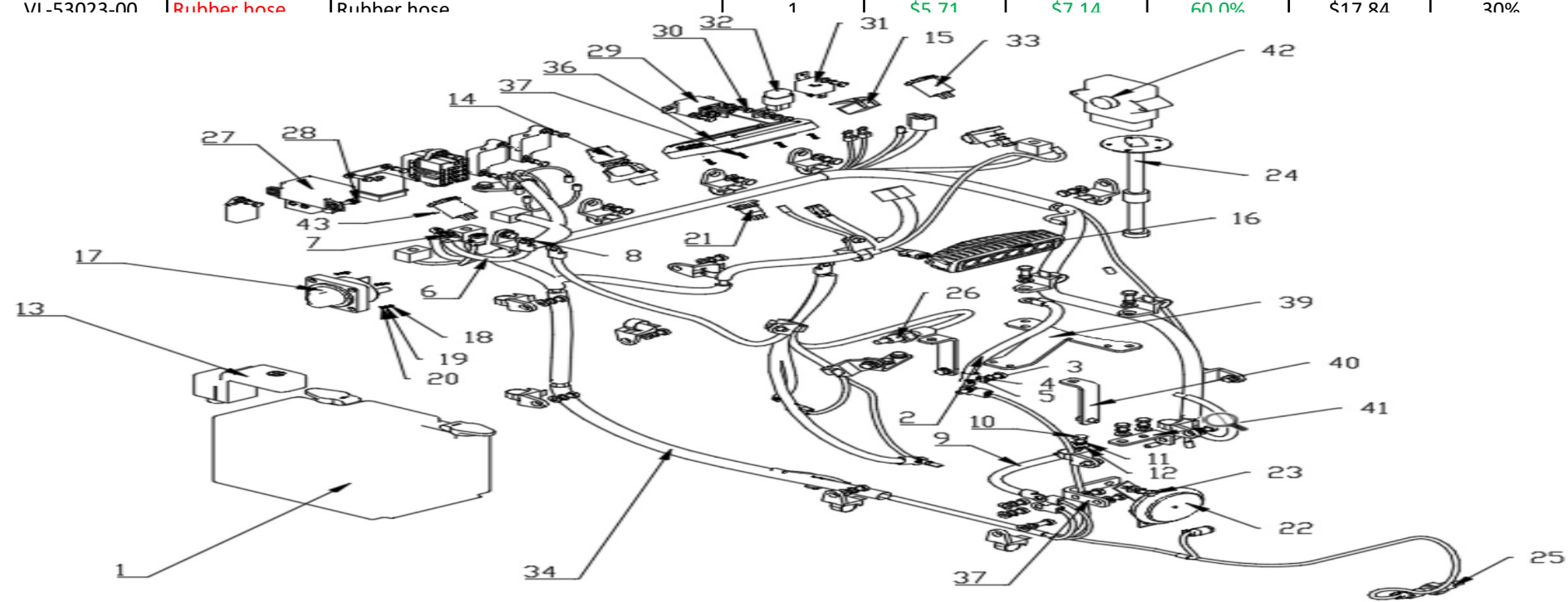


Figure 5: Electrical

SN	Item #	PNB	Part Number	GAVIN'S DESC.	Description	QTY/Unit	Cost (ea.)	Cost w/ tariffs	Viper Margin	Dealer	Margin	MSRP	Remark
F5-01	1	M3000001	n/a	Battery	Battery	1	\$50.00	\$62.50					
F5-02	2	M3000002	VL-63003-00	Negative battery	Battery negative wire	1	\$3.57	\$4.46	30.0%	\$6.38	30%	\$9.11	
F5-03	3	M6010301	VL-81053-00	Outer hexagonal	Hex bolt M8*14	2	\$0.04	\$0.05	80.0%	\$0.25	30%	\$0.36	
F5-04	4	M6040300	VL-83103-00	Elastic gasket D8	Lock washer D8	6	\$0.03	\$0.04	80.0%	\$0.19	30%	\$0.27	
F5-05	5	M6030300	VL-83003-00	Flat gasket D8	Flat washer D8	6	\$0.03	\$0.04	80.0%	\$0.19	30%	\$0.27	
F5-06	6	M3000003	VL-63001-00	Start the wiring	Ignition Wiring Harness	1	\$11.00	\$13.75	50.0%	\$27.50	30%	\$39.29	
F5-07	7	M6050801	VL-82102-00	Flange nut M6	Flange nut M6	1	\$0.04	\$0.05	80.0%	\$0.25	30%	\$0.36	
F5-08	8	M6050802	VL-82103-00	Flange nut M8	Flange nut M8	1	\$0.17	\$0.21	80.0%	\$1.06	30%	\$1.52	
F5-09	9	M3000004	VL-63002-00	Engine ground	Engine ground wire	1	\$7.86	\$9.83	30.0%	\$14.04	30%	\$20.05	
F5-10	10	M6010402	VL-81103-00	Outer hexagonal	Hex bolt M10*14	1	\$0.07	\$0.09	80.0%	\$0.44	30%	\$0.63	
F5-11	11	M6040400	VL-83104-00	Elastic gasket	Lock washer D10	1	\$0.04	\$0.05	80.0%	\$0.25	30%	\$0.36	
F5-12	12	M6030400	VL-83004-00	Flat gasket D10	Flat washer D10	1	\$0.04	\$0.05	80.0%	\$0.25	30%	\$0.36	
F5-13	13	M3000005	VL-64100-00	Battery fuse	Battery fuse holder	1	\$18.57	\$23.21	40.0%	\$38.69	30%	\$55.27	
F5-14	14	M3000008	VL-61000-00	Start electric loc	Ignition Key Switch	1	\$23.21	\$29.01	40.0%	\$48.35	30%	\$69.08	
F5-15	15	M3000009	VL-61003-00	Warping switch	Light Switch	1	\$5.01	\$6.26	40.0%	\$10.44	30%	\$14.91	
F5-16	16	M3000010	VL-61200-00	Floodlight	Floodlight	1	\$8.91	\$11.14	75.0%	\$44.55	30%	\$63.64	
F5-17	17	M3000011	VL-61001-00	Power master	Power master switch	1	\$12.16	\$15.20	40.0%	\$25.33	30%	\$36.19	
F5-18	18	M6070102	VL-81005-20	Screw M4*18	Screw M4*18	4	\$0.03	\$0.04	80.0%	\$0.19	30%	\$0.27	
F5-19	19	M6040600	VL-83101-00	Elastic gasket D4	Lock washer D4	4	\$0.01	\$0.01	80.0%	\$0.06	30%	\$0.09	
F5-20	20	M6030600	VL-83001-00	Flat gasket D4	Flat washer D4	4	\$0.01	\$0.01	80.0%	\$0.06	30%	\$0.09	
F5-21	21	M3000013	VL-62004-00	Horn	Horn	1	\$6.57	\$8.21	50.0%	\$16.43	30%	\$23.46	
F5-22													
F5-23													
F5-24													
F5-25													
F5-26													
F5-27													
F5-28													
F5-29													
F5-30													
F5-31													
F5-32													
F5-33													
F5-34													
F5-35													
F5-36													
F5-37													
F5-38													
F5-39													
F5-40													
F5-41													
F5-42													
F5-43													

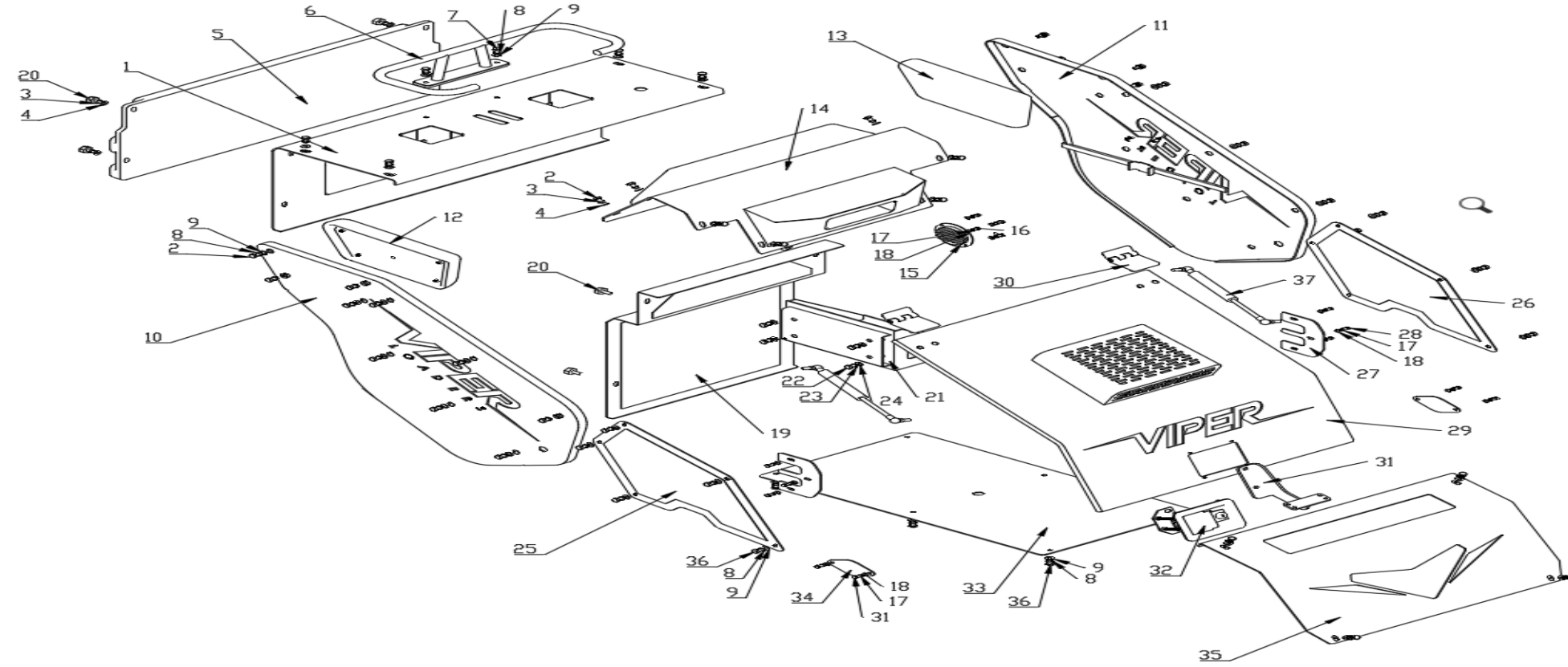


Figure 6: Cover & Body Assembly

SN	Item #	PNB	Part Number	GAVIN'S DESC.	Description	QTY/Unit	Cost (ea.)	Cost w/ tariffs	Viper Margin	Dealer	Margin	MSRP	Remark
F6-01	1	N4050200	VL-71000-00	Console cover	Console cover plate	1	\$49.29	\$61.61	50.0%	\$123.23	30%	\$176.04	metal parts standard ship
F6-02	2	M6080203	VL-81054-30	Round head	Round head hex socket bolt M8*16	34	\$0.04	\$0.05	80.0%	\$0.25	30%	\$0.36	
F6-03	3	M6050702	VL-83003-SS	Stainless steel	Stainless steel lock washer D8	16	\$0.03	\$0.04	80.0%	\$0.19	30%	\$0.27	
F6-04	4	M6050701	VL-83	Enlarged flat	Large flat washer M8*20	16	\$0.04	\$0.05	80.0%	\$0.25	30%	\$0.36	
F6-05	5	M4090800	VL-73000-00	Front shielding	Front Operator Pad	1	\$35.14	\$43.93	56.0%	\$99.83	30%	\$142.61	
F6-06	6	M4010900	VL-72000-00	Console armrest	Console Grab Handle	1	\$21.43	\$26.79	30.0%	\$38.27	30%	\$54.67	
F6-07	7	M6010303	VL-81056-00	Outer hexagonal	Hex bolt M8*20	2	\$0.04	\$0.05	80.0%	\$0.25	30%	\$0.36	
F6-08	8	M6040300	VL-83103-00	Elastic gasket D8	Lock washer D8	22	\$0.03	\$0.04	80.0%	\$0.19	30%	\$0.27	
F6-09	9	M6030300	VL-83003-00	Flat gasket D8	Flat washer D8	22	\$0.03	\$0.04	80.0%	\$0.19	30%	\$0.27	
F6-10	10	E4070100	VL-71010-00	Left side wing styl	Left side wing styling	1	\$36.00	\$45.00	60.0%	\$112.50	30%	\$160.71	
F6-11	11	E4080100	VL-71011-00	Right side wing styl	Right side wing styling	1	\$36.00	\$45.00	60.0%	\$112.50	30%	\$160.71	
F6-12	12	M4070200	VL-73001-00	Left armrest	Left armrest cover	1	\$14.71	\$18.39	60.0%	\$45.97	30%	\$65.67	
F6-13	13	M4080200	VL-73002-00	Right armrest	Right armrest cover	1	\$14.71	\$18.39	60.0%	\$45.97	30%	\$65.67	
F6-14	14	E4050300	VL-71001-00	Instrument	Instrument panel cover plate	1	\$28.00	\$35.00	60.0%	\$87.50	30%	\$125.00	
F6-15	15	M4050508	VL-71007-00	Air inlet cover	Air inlet cover plate	1	\$3.57	\$4.46	60.0%	\$11.16	30%	\$15.94	
F6-16	16	M6080101	VL-81021-30	Round head	Round head hex socket bolt M6*10	4	\$0.04	\$0.05	80.0%	\$0.25	30%	\$0.36	
F6-17	17	M6040200	VL-83102-00	Elastic gasket D6	Lock washer D6	18	\$0.01	\$0.01	80.0%	\$0.06	30%	\$0.09	
F6-18	18	M6030200	VL-83002-00	Flat gasket D6	Flat washer D6	18	\$0.01	\$0.01	80.0%	\$0.06	30%	\$0.09	
F6-19	19	M4051100	VL-71002-00	Rear radiator	Rear Radiator cover	1	\$14.71	\$18.39	60.0%	\$45.97	30%	\$65.67	
F6-20	20	M6070100	VL-80003-00	Finger bolt	Thumb screw bolt M8*25 (1")	8	\$0.14	\$0.18	80.0%	\$0.88	30%	\$1.25	
F6-21	21	M4050600	VL-72200-00	Battery bracket	Battery bracket	1	\$8.29	\$10.36	60.0%	\$25.91	30%	\$37.01	
F6-22	22	M6060502	VL-81105-00	Hexagonal bolt	Hex bolt M10*18	4	\$0.07	\$0.09	80.0%	\$0.44	30%	\$0.63	
F6-23	23	M6040400	VL-83104-00	Elastic gasket	Lock washer D10	4	\$0.04	\$0.05	80.0%	\$0.25	30%	\$0.36	
F6-24	24	M6030400	VL-83004-00	Flat gasket D10	Flat washer D10	4	\$0.04	\$0.05	80.0%	\$0.25	30%	\$0.36	
F6-25	25	N4051200	VL-71005-00	Left access panel	Left access panel	1	\$5.00	\$6.25	65.0%	\$17.86	30%	\$25.51	
F6-26	26	N4051300	VL-71006-00	Right access	Right access panel	1	\$5.00	\$6.25	65.0%	\$17.86	30%	\$25.51	
F6-27	27	E4051500	VL-72201-00	Motor oil pipe	Motor oil pipe port baffle	2	\$0.43	\$0.54	80.0%	\$2.69	30%	\$3.84	
F6-28	28	M6010204	VL-81024-00	Hexagonal bolt	Hex bolt M6*16	10	\$0.03	\$0.04	80.0%	\$0.19	30%	\$0.27	
F6-29	29	E4050900	VL-71003-00	Front cover plate	Front cover plate	1	\$40.86	\$51.08	50.0%	\$102.15	30%	\$145.93	
F6-30	30	M4090100	VL-72100-00	Front cover plate	Front cover plate hinge	2	\$4.86	\$6.08	55.0%	\$13.50	30%	\$19.29	
F6-31	31	E4060220	VL-72202-00	Front cover lock	Front cover lock bracket	1	\$2.71	\$3.39	75.0%	\$13.55	30%	\$19.36	
F6-32	32	M4090200	VL-72300-00	Front cover lock	Front cover lock	1	\$9.20	\$11.50	50.0%	\$23.00	30%	\$32.86	
F6-33	33	H4050400	VL-71009-00	Bottom	Bottom skid plate	1	\$21.61	\$27.01	60.0%	\$67.53	30%	\$96.47	
F6-34	34	M4010611	VL-71008-00	Butter port	Track tensioner Port Cover	2	\$0.57	\$0.71	80.0%	\$3.56	30%	\$5.09	
F6-35	35	E4051000	VL-71004-00	Front lower	Front lower cover plate	1	\$20.71	\$25.89	60.0%	\$64.72	30%	\$92.46	
F6-36	36	M6010302	VL-81054-00	Outer hexagonal	Hex bolt M8*16	4	\$0.04	\$0.05	80.0%	\$0.25	30%	\$0.36	
F6-37	37	N4090400	VL-72203-00	Gas springs	Hood lift strut	2	\$2.14	\$2.68	80.0%	\$13.38	30%	\$19.11	